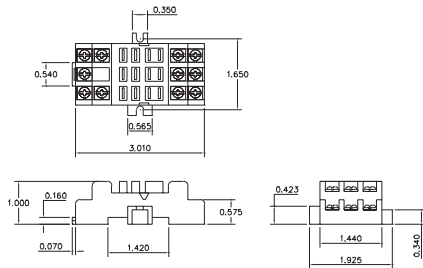


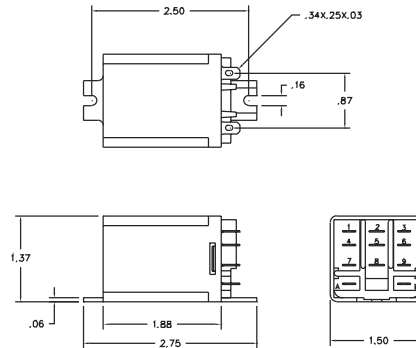
# Logic Control General Purpose Relays

## CR420 Plug-In Relays Outlines and Dimensions

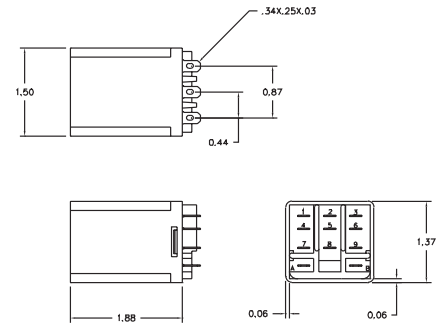
## Section 10



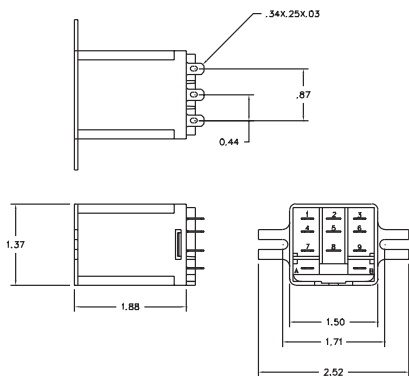
CR420HA Socket



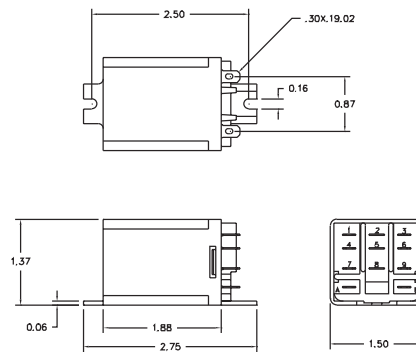
CR420HF



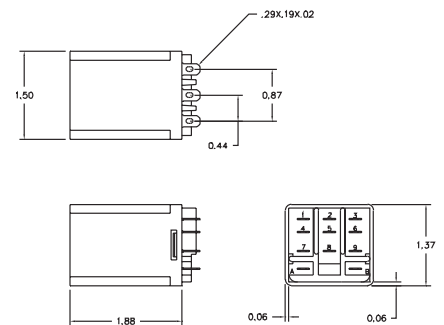
CR420HP



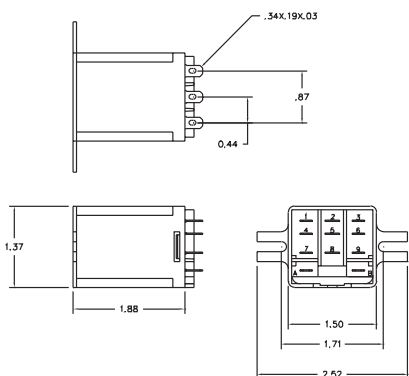
CR420HT



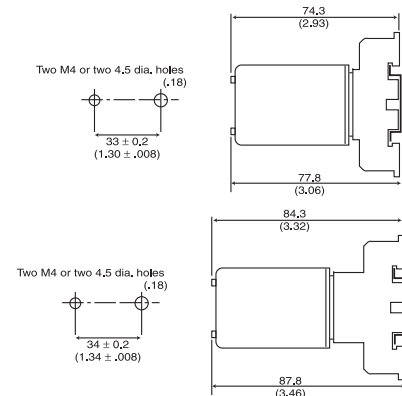
CR420JF



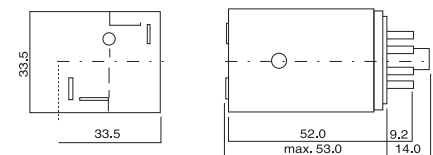
CR420JP



CR420JT



CR420K



CR420K



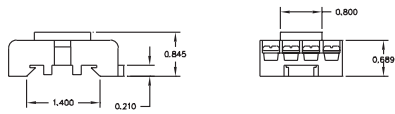
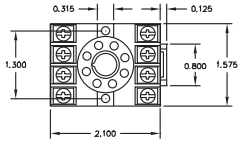
# Logic Control General Purpose Relays

## CR420

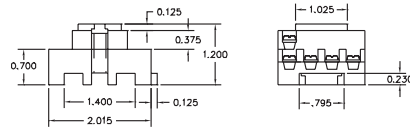
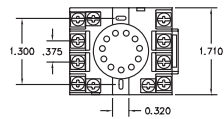
Plug-In Relays

Outlines and Dimensions

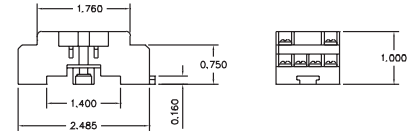
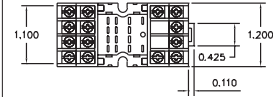
# Section 10



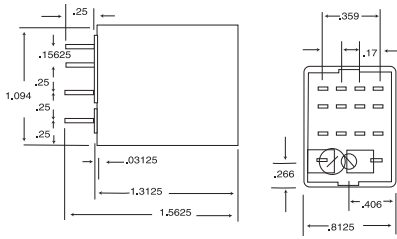
CR420KA2 Socket



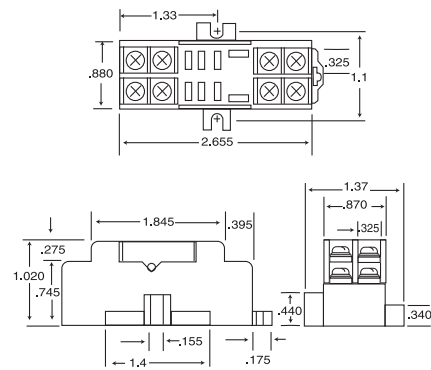
CR420KA3 Socket



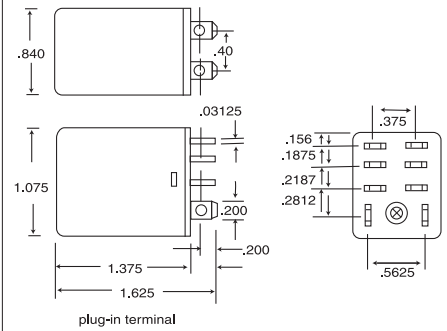
CR420MA Socket



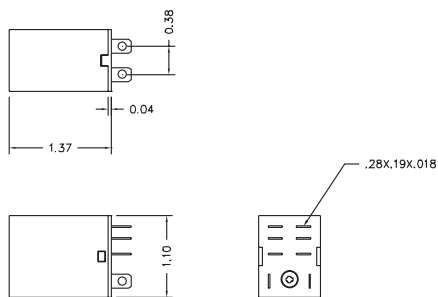
CR420MP



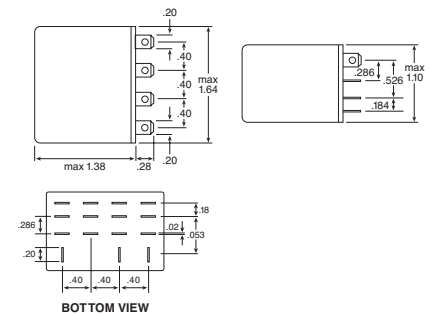
CR420NA2 Socket



CR420N SPDT/DPDT



CR420NT SPDT/DPDT



CR420NP 4PDT



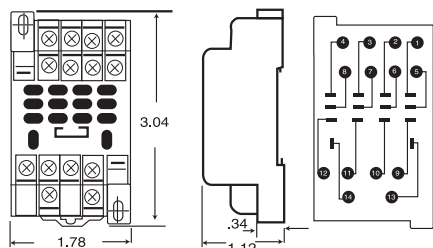
Product Number Selection Instructions: See page 10-2

# Logic Control General Purpose Relays

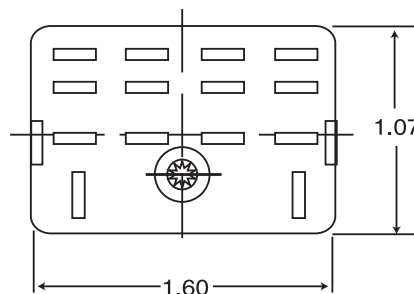
## CR420

Plug-In Relays  
Outlines and Dimensions

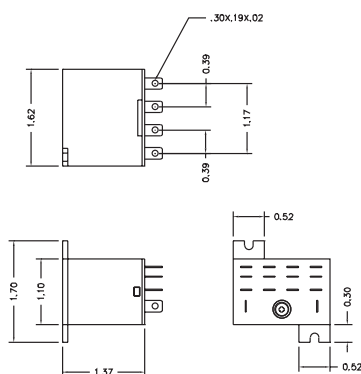
# Section 10



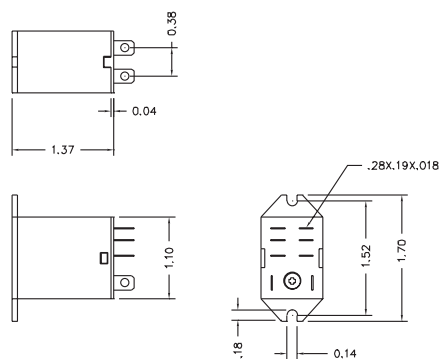
CR420NA4 Socket



CR420NT 4PDT



CR420NTA044



CR420NTA011

